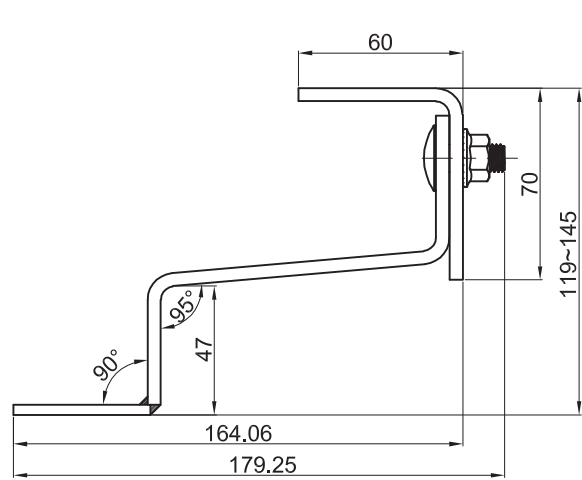
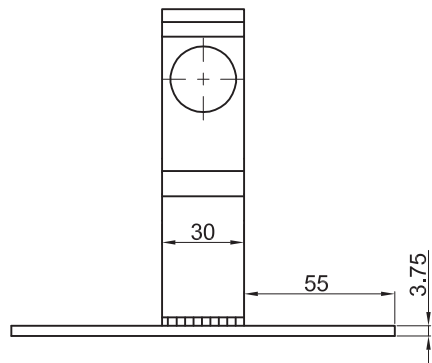
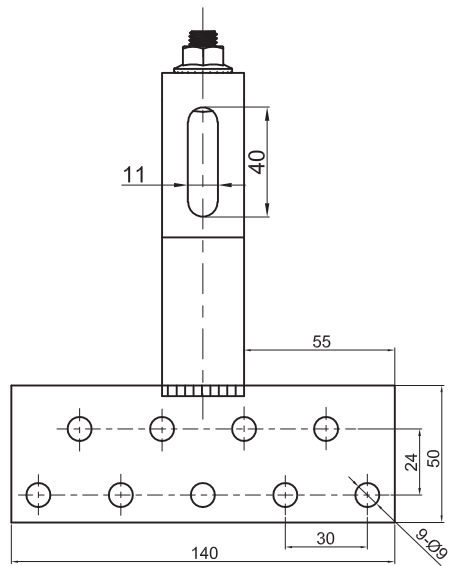
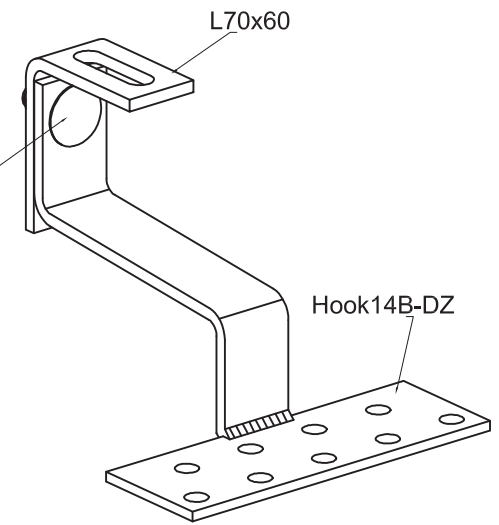


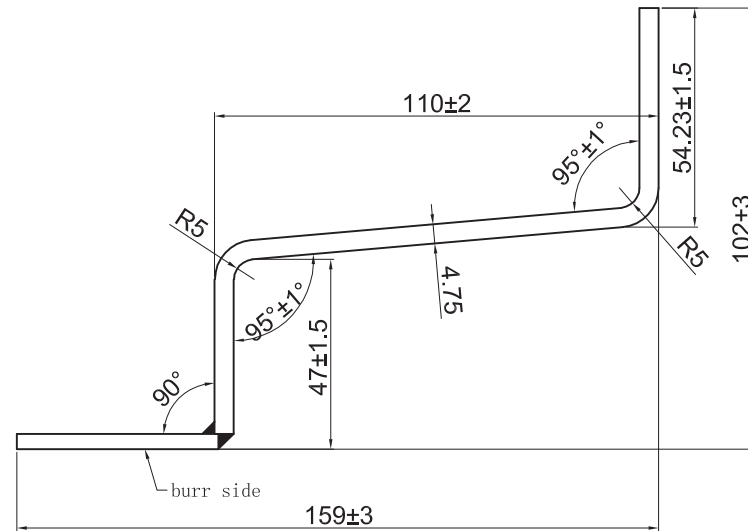
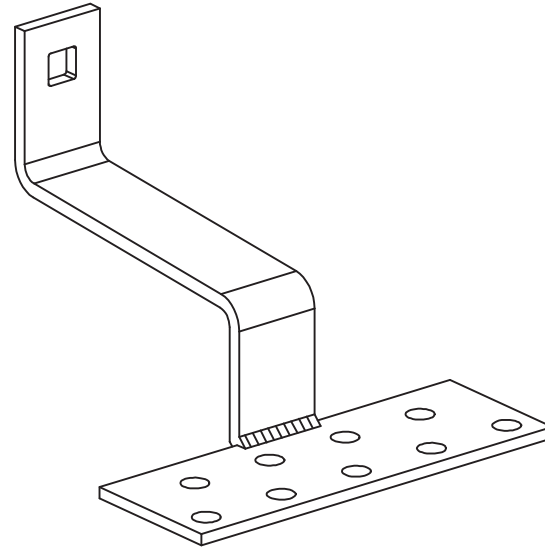
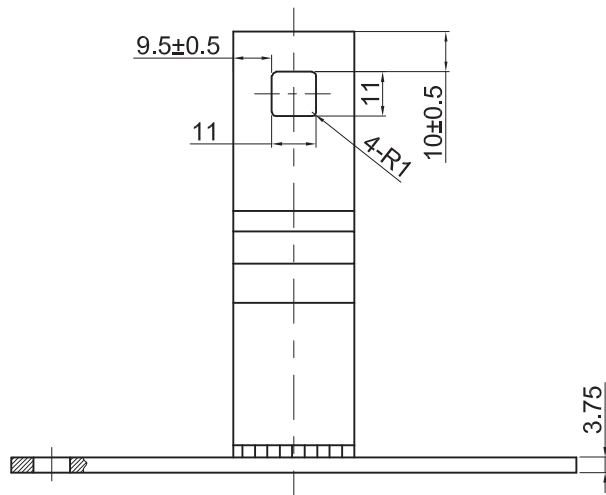
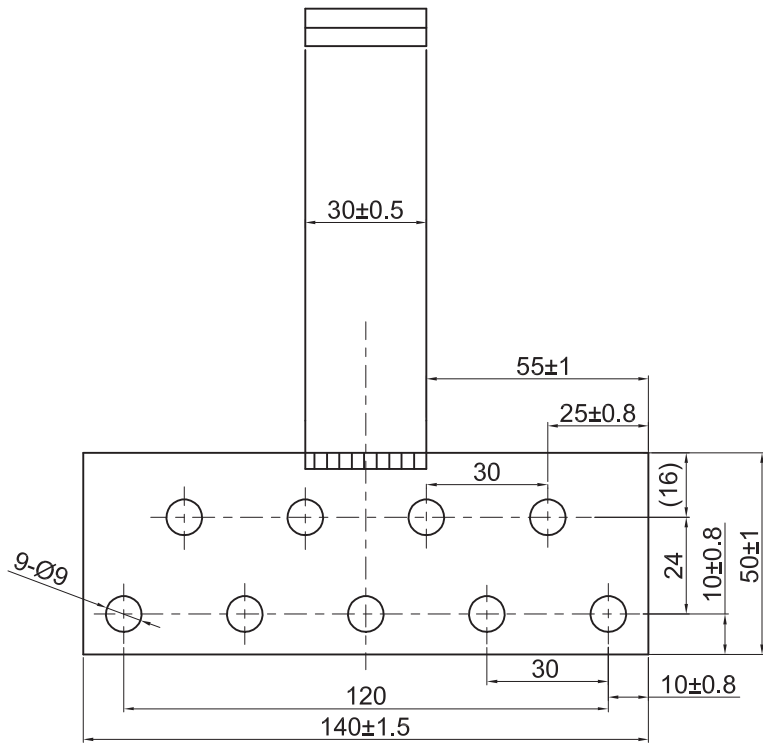
**CODE NUMBER : 301051**



M10x25 Carriage Bolts  
+ Flange nut



**CODE NUMBER : 301051**



**CODE NUMBER : 301051**

